



DESKTOP UV INKJET MODULAR EMP6700 DECENTRALIZED CARD PERSONALIZATION SYSTEM



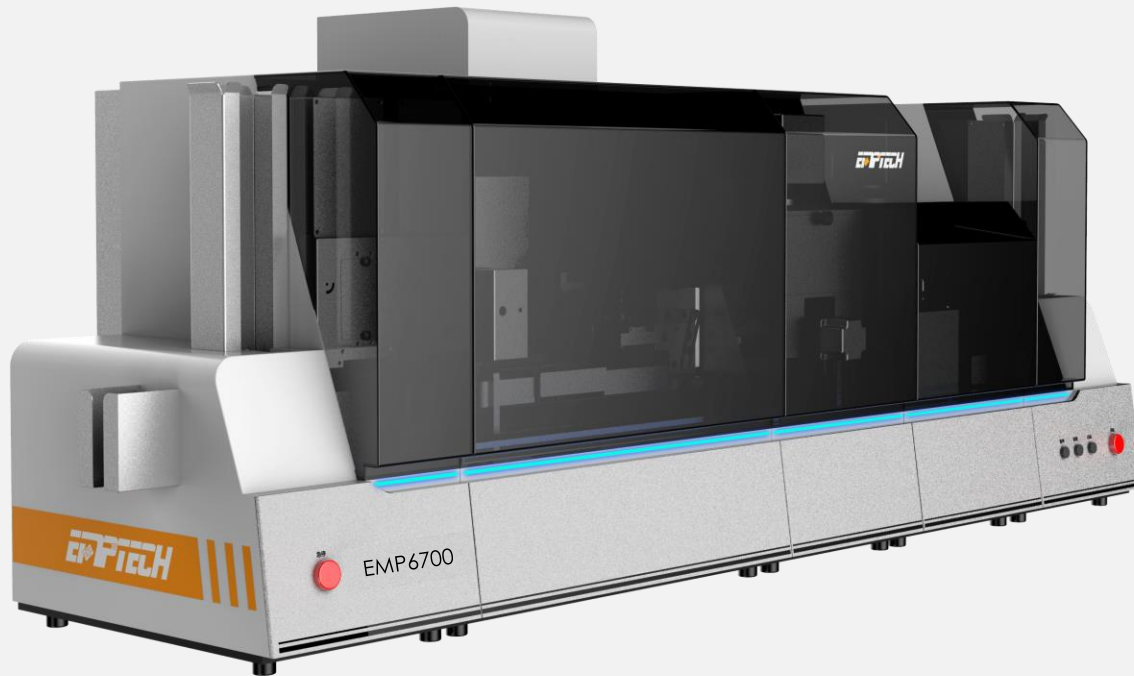
Integral Identity Information Service Provider



Personalization Equipment

▶ UV-Inkjet Card Printer

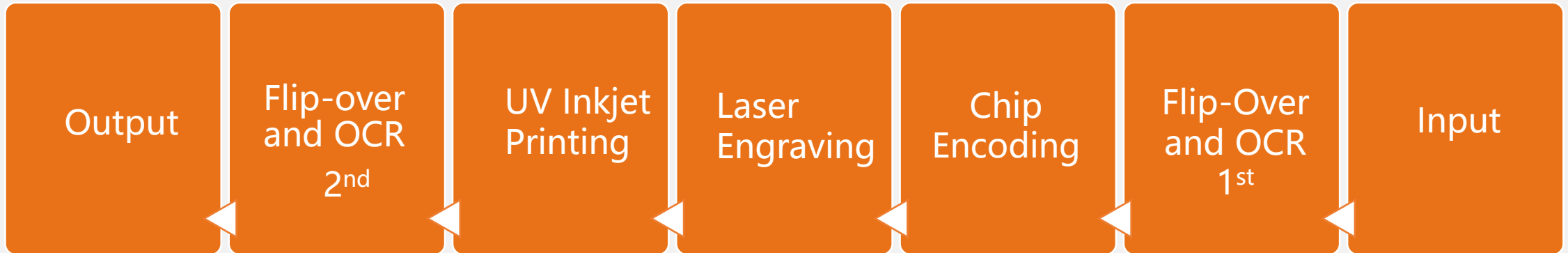
EMP6700 is EmpTech latest desktop MLP card personalization machine embedded with EmpTech Personalization platform. Modularization design allows operator to control each module separately in order to achieve different type of cards personalization. **EMP6700** is also designed for any office or card production environments, so our customer can easily meet their needs.



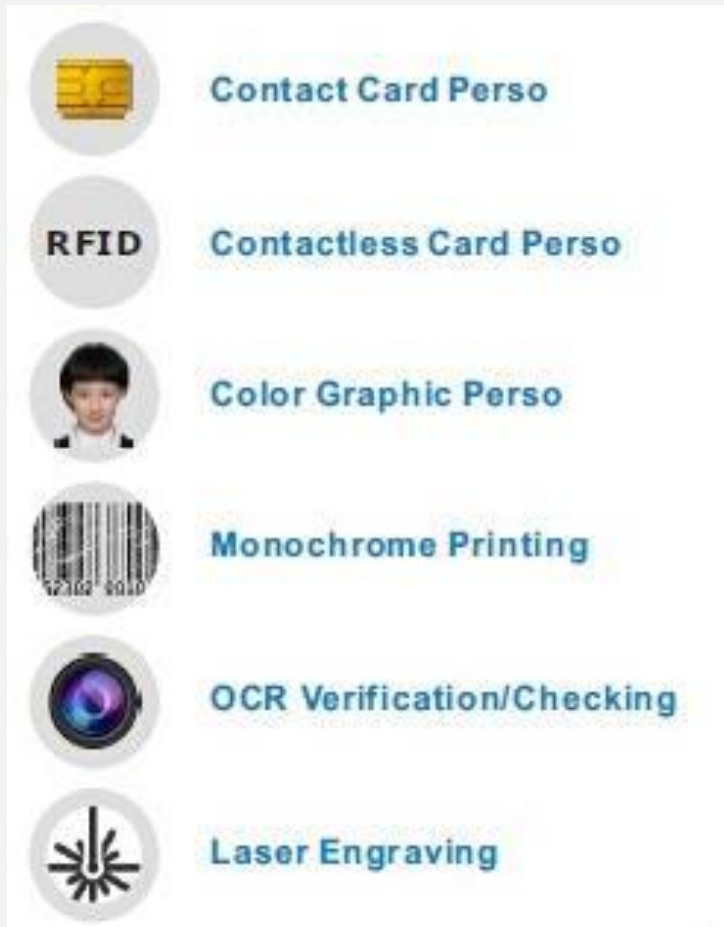
HighLights

- Production Speed: Up to 180 UPH
- Laser Engraving resolution :600 dpi
- 4/5 Colors
- 600 * 600 dpi
- Qualified Durability
- Competitive Printing Cost
- **Card Material: PC or Metal**

▶ Desktop MLP card Perso Workflow



▶ Modularized Design Configuration



- Card Feeding Module: 1 x Input tray, 300 cards.
- 1 x flip-over, OCR both front and rear side
- Chip Encoding Module: 1 chip encoding module, with contact and contactless encoding function
- Laser Engraving: 1 laser engraving heads, 256 gray level, 600dpi, with MLI and CLI
- 1 x Color UV-Inkjet Printing Module: edge-to-edge printing, with LED curing system
- 1 x flip-over, OCR for inline QC
- Output Module: 1x Output Stacker, 300 cards
1x Reject Bin, 50 cards,



Module Description

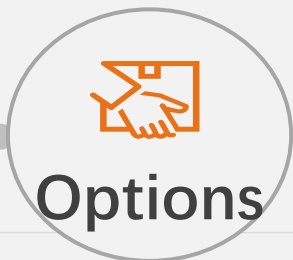
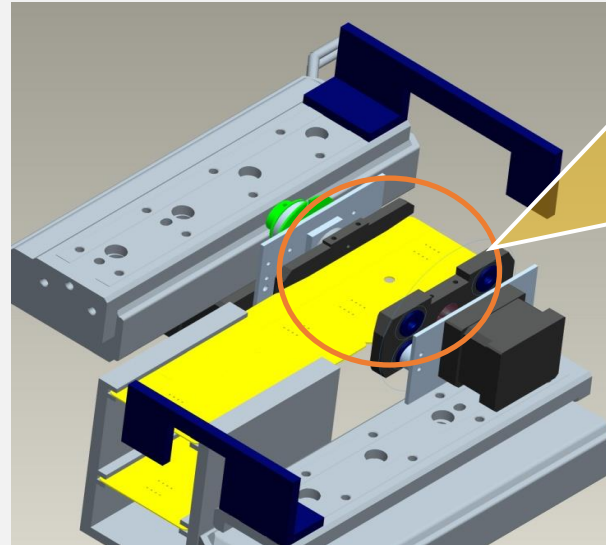
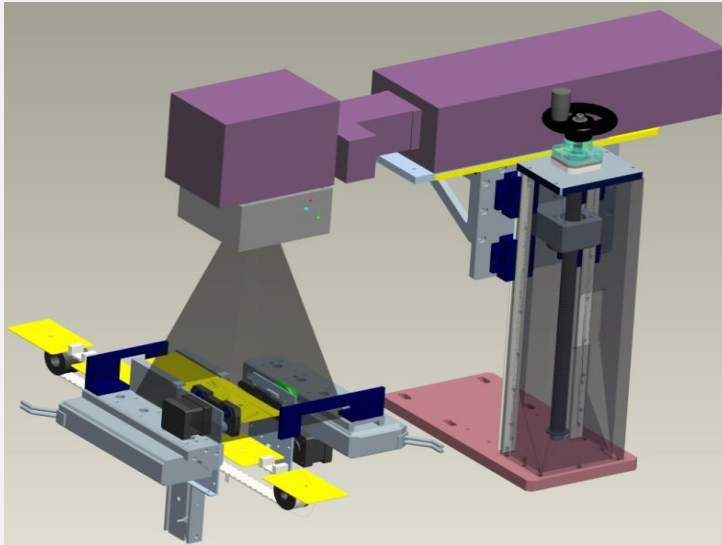
- Supported protocols: ISO 7816-3, SWP/SHDLC, SD 2.0,
- Memory Card, ISO 14443, ISO 15693, MIFARE Plus™, FeliCa™
- Personalization of contact/contactless chip card module
- Continuity test • 100% software compatible with existing applications



Laser Engraving Module

The Resolution of Laser engraving is 600 Dpi, 256 gray levels

Flipper Module Support MLI and CLI Printing

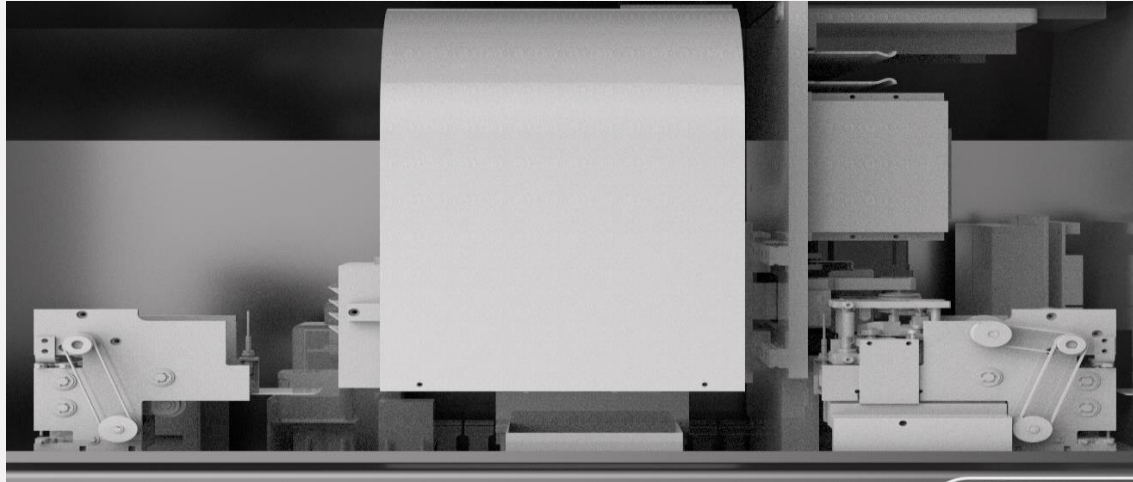


CLI or MLI

Tactile & Microtext

Rear side printing

▶ UV Inkjet Printing Module



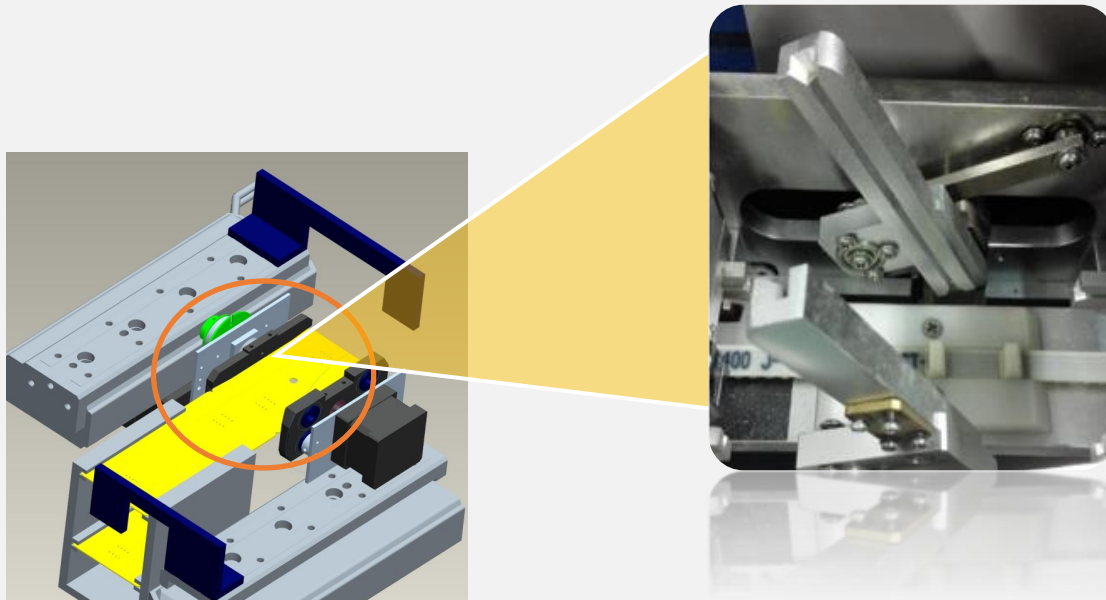
- high resolution and color UV printing.
- Innovative variable droplet technology, visual resolution up to 1,200 dpi
- personalization printing to meet the highest printing requirement

- OCR for passport printing checking mounted after the printing head to ensure the accuracy of the passport
- 2 variants of Printing Module Solution:
 - 4 color (CMYK), for color facial and character printing.
 - 5 color (CMYK+ Varnishing), for color picture and alphanumeric printing.
- Support observation page color printing

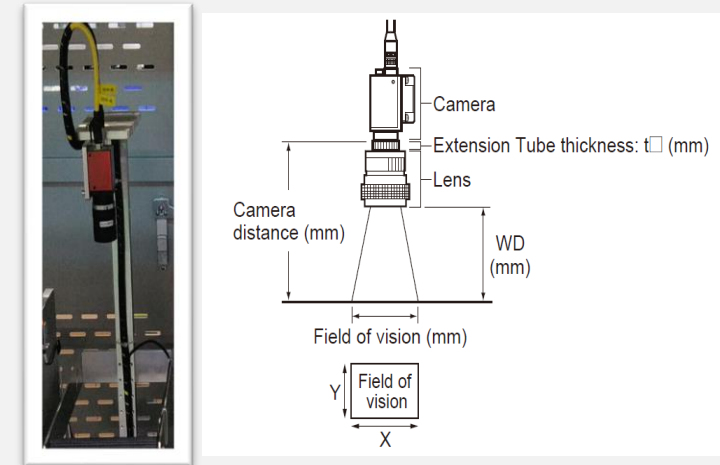
▶ Flipper and OCR Module

Flipper and OCR Station

Flipper makes sure both side of the card can be printed in the same printing station



Flipper Module



OCR Module

 OCR Description

 OCR

- 2 million pixels
- e-ID Number identification
- Verification

▶ UV-Inkjet Card Printer



Dimension & Weight

- 1850X750X700
- 170kg

OS

- OS: Windows 10 or next version

Laser Engraving

- more than 600dpi, MLI/CLI

Print Mode

- 4 colors (Y, M, C, K)
- 5 colors (Y, M, C, K, Varnish)

Resolution

- 600 x 600 dpi

Speed

- Up to 180 UPH

Magazine Capacity

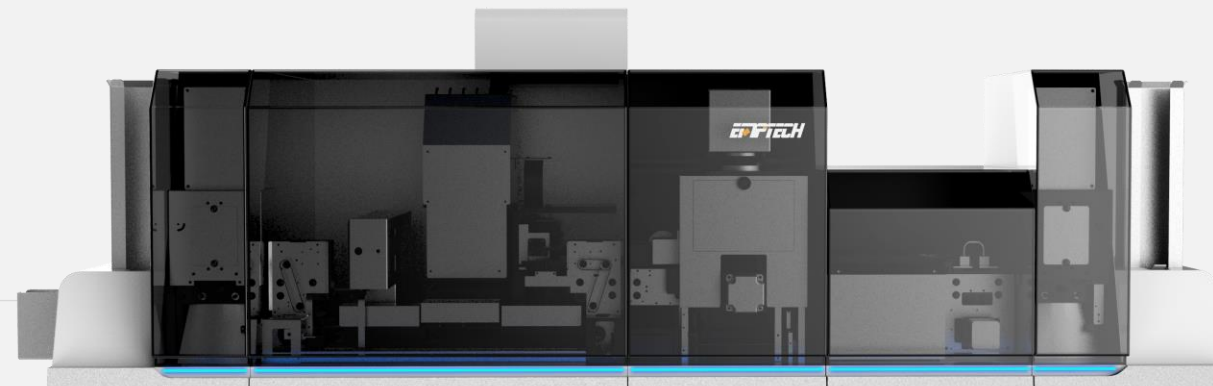
- Input Magazine: 300 cards
- Output Magazine: 300 cards
- Rejective bin: 50 cards

Noise Level

- lower than 70dB

Power Supply

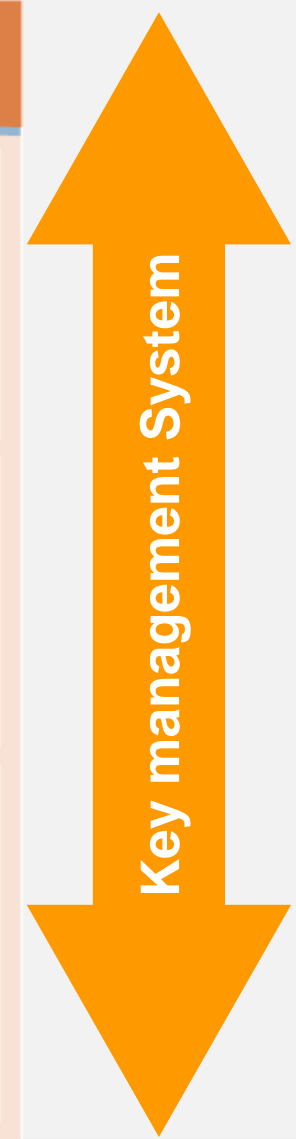
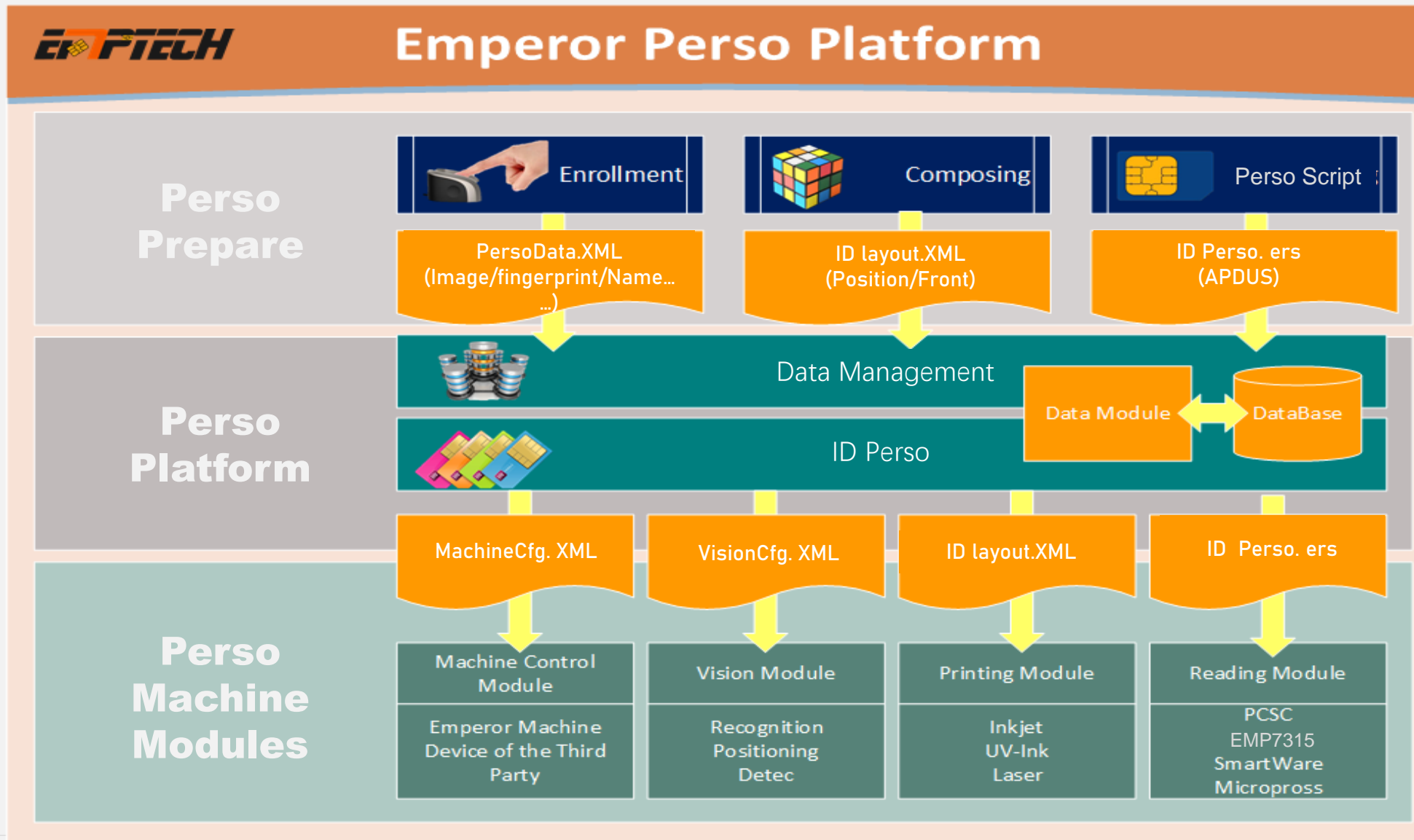
- Voltage : 220V AC \pm 10% / 50Hz
- Power: 600 w



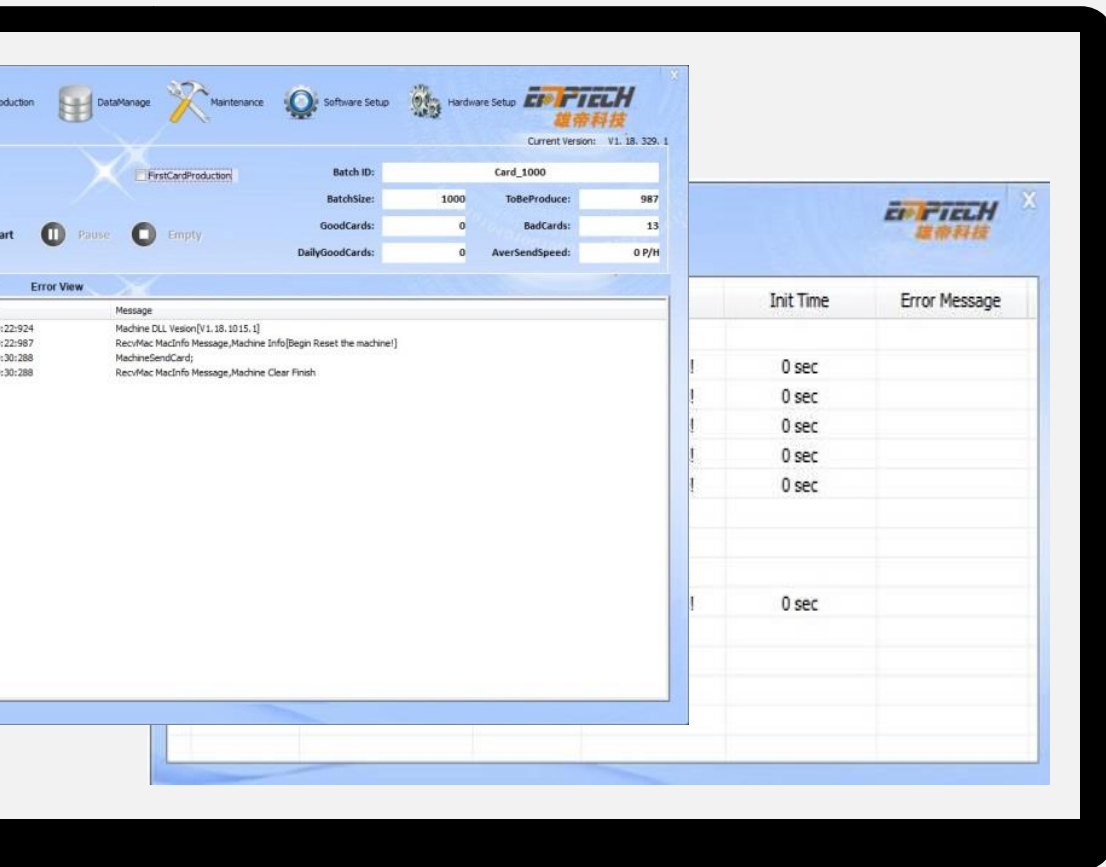


Personalization System & Interface

▶ Perso Platform Management



Emptech Perso System Interface



Convenient

Automatic

Security

Upload to Cloud

Emperor Personalization Platform software was specially designed for the UV-Inkjet ID/passport Personalization System. It is a very high efficiency and easy-operating software. It also supports photo printing, laser printing, varnishing and most type of fonts

Group Design

- Group design for Production management
- Easy to operate and configure the data
- Clear structure

Modular Design

- Individual Module Configuration, each module can be enabled and disabled by single click on the software to realize different production's requirements

Passport Layout Design

- Support laser printer and small window laser printer
- Multiple Standard Template for reference
- Support all type of fonts printed
- Support Picture Printed



THANK YOU



EmperorTech Americas

Dallas, Texas USA

+1 214-614-8340

sales@emperortech.us

www.emperortech.us

Updated March 30, 2023

EMPEROR TECHNOLOGY